

KAB // Seating

500 Series



KAB 525P



ENTER THE COMFORT ZONE

CVG SEATING (INDIA) PVT. LTD.
www.cvgseating.co.in



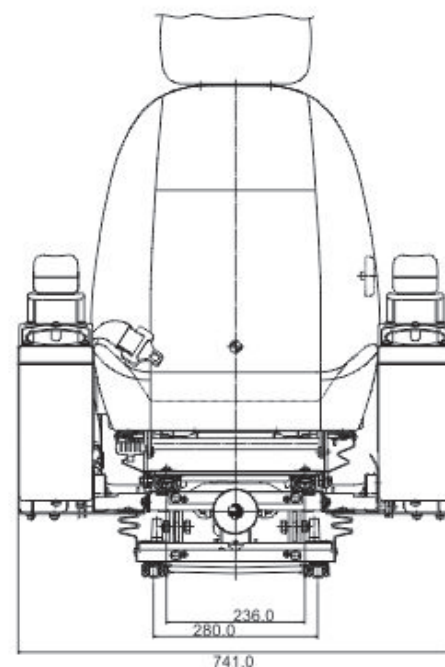
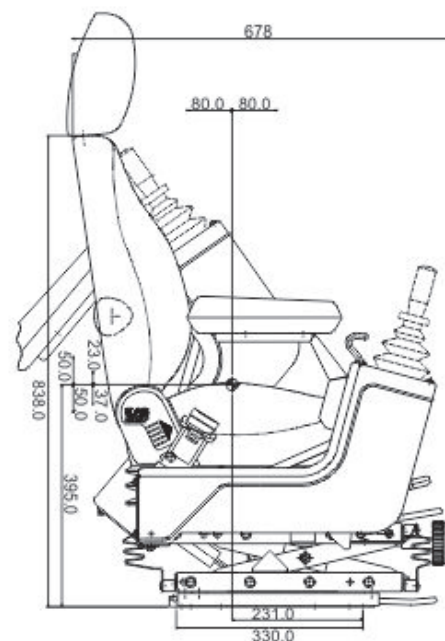
KAB // Seating

500 Series

Air and mechanical suspension seating
for the construction and marine sectors

Features	525P
Air suspension with 12v or 24v integral Compressors (555P)	<input type="radio"/>
Mechanical suspension	<input checked="" type="radio"/>
Vertical suspension stroke 100mm (4")	<input checked="" type="radio"/>
60mm height and tilt adjustment	<input checked="" type="radio"/>
Driver weight adjustment 50-150kgs	<input checked="" type="radio"/>
Suspension cover	<input checked="" type="radio"/>
Moulded control pods to carry hydraulic electronic control joysticks	<input checked="" type="radio"/>
Control pod height adjustment 50mm	<input checked="" type="radio"/>
Control pod height adjustment 40mm (relative to joystick)	<input checked="" type="radio"/>
Fore and aft adjustment of 160-200mm (relative to control pods)	<input checked="" type="radio"/>
Backrest angle adjustment	<input checked="" type="radio"/>
Seat belt to ISO 6683, SAE J386 (anchorage strength 15Kn)	<input checked="" type="radio"/>
Tether belt version to SAE J386, June 1985 (anchorage strength 22Kn)	<input type="radio"/>
Seat belt widths 50mm (2") & 75mm (3")	<input type="radio"/>
Adjustable armrests (50/70/80/100mm widths)	<input type="radio"/>
5 position lumbar support	<input type="radio"/>
Adjustable headrest	<input type="radio"/>
Cushion heaters	<input type="radio"/>
Adjustable damper	<input type="radio"/>
Double dampers	<input type="radio"/>
Seat sensor switch	<input type="radio"/>
Turntable 0° - 180°	<input type="radio"/>
Front controls	<input type="radio"/>
Range of fabrics and PVC	<input type="radio"/>

● Standard ○ Optional



- SIP to ISO 5353.
- Dimensions at mid suspension stroke, middle height adjustment and at mid sliderail adjustment.
- Indicative dimensions
- Air 525P shown

The great value of the KAB pod seats are that the joysticks move with the driver and the suspension of the seat. This creates a better ergonomic working environment and reduces stretching injuries.

These models are just part of the extensive 500 series range.

Other high back, low back and narrower seats are also available

For further details contact your local CVG office.

India : CVG Seating (India) Pvt. Ltd.

Tel : +91 (0) 124 4032119 E-mail: mkt.india@cvgseating.co.in

UK : KAB Seating Ltd.,

Tel: + 44 (0) 1604 790500 E-mail: marketing@kabseating.com

China : CVG Vehicle Components (Shanghai) Co. Ltd.

Tel: + 86 (0) 21 5958 5801 E-mail: infochina@cvgrp.com