

# KAB // Seating



## 800 Series

83/T5A



86/K4



86/K4B



ENTER THE COMFORT ZONE

CVG SEATING (INDIA) PVT. LTD.  
[www.cvgseating.co.in](http://www.cvgseating.co.in)



# KAB // Seating

## 800 Series

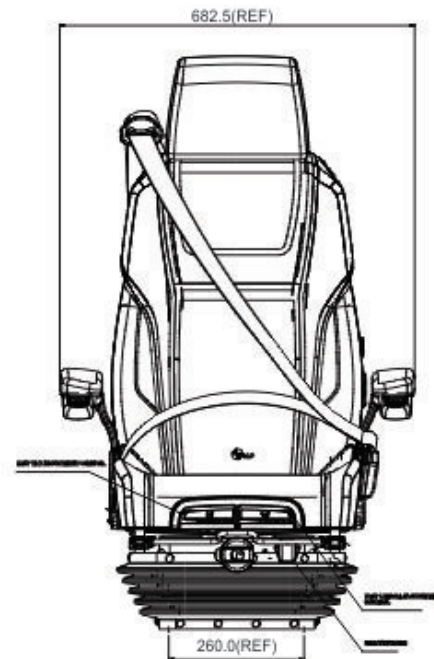
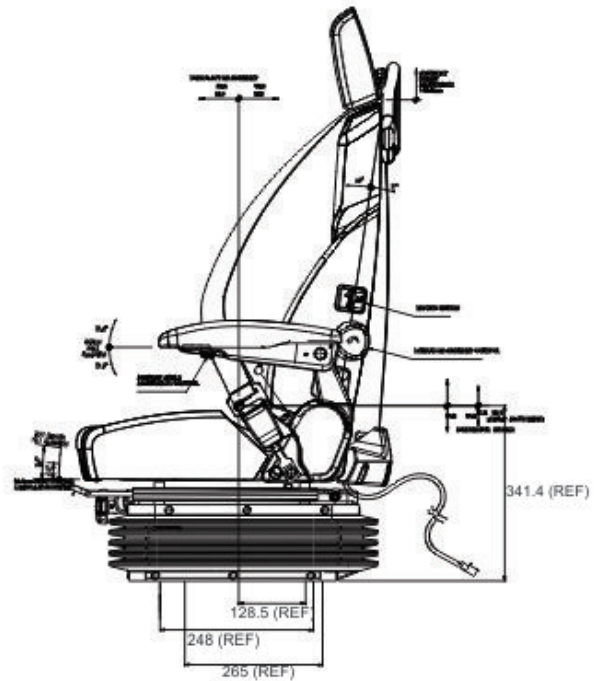
Air and mechanical suspension seating for the construction and agriculture sectors

Features	86	83
Backrest options ( T5A / T4A / K4)	○	○
Air suspension with 12v or 24v integral Compressors ( 86)	●	
Mechanical suspension		●
Vertical suspension stroke 175mm	●	●
75mm integrated height adjustment	●	●
Driver weight adjustment 50-120kgs	●	●
Suspension cover	●	●
Fore and aft adjustment of 160-180 mm in 10 mm steps	●	●
Backrest angle adjustment	●	●
Seat belt to ISO 6683, SAE J386 (anchorage strength 15Kn)- 2 point	●	●
Seat belt to SAE J2292 (3 and 4 point belt K4 upper only)	○	○
Adjustable armrests (optional widths available)	○	○
5 position lumbar support	○	○
Adjustable headrest	○	○
Cushion heaters	○	○
Adjustable damper	○	○
Double dampers	○	○
Seat sensor switch	○	○
Range of fabrics and PVC	○	○
Cushion tilt and length adjustment ( K4 only)	○	○

● Standard ○ Optional

Note : Meets ISO 7096 performance requirements

### K Series options only



- SIP to ISO 5353.
- Dimensions at mid suspension stroke, middle height adjustment and at mid sliderail adjustment.
- Indicative dimensions
- 83/K4B shown

**These models are just part of the extensive 800 series range.**

**Other backrest options are also available from CVG/KAB range.**

**For further details contact your local CVG office.**

**India** : CVG Seating (India) Pvt. Ltd.

Tel : +91 (0) 124 4032119 E-mail: [mkt.india@cvgseating.co.in](mailto:mkt.india@cvgseating.co.in)

**UK** : KAB Seating Ltd.,

Tel: + 44 (0) 1604 790500 E-mail: [marketing@kabseating.com](mailto:marketing@kabseating.com)

**China** : CVG Vehicle Components (Shanghai) Co. Ltd.

Tel: + 86 (0) 21 5958 5801 E-mail: [infochina@cvgrp.com](mailto:infochina@cvgrp.com)