



DESIGNED FOR
Luxury And Comfort



VELOR



SALIENT FEATURES

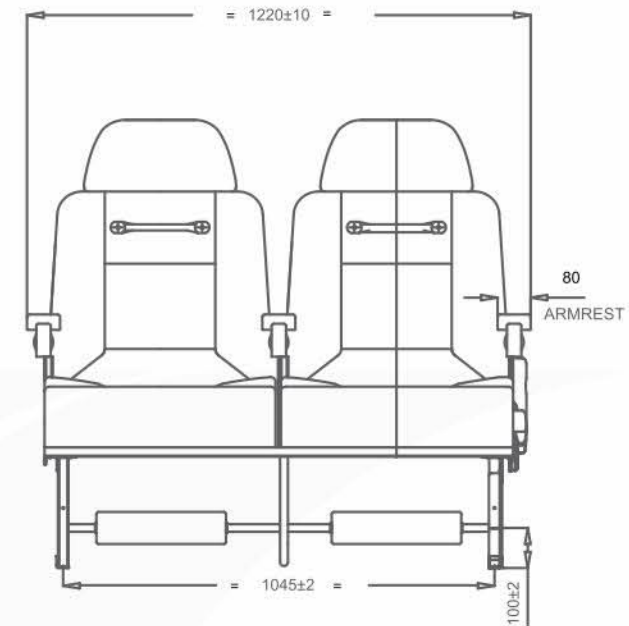
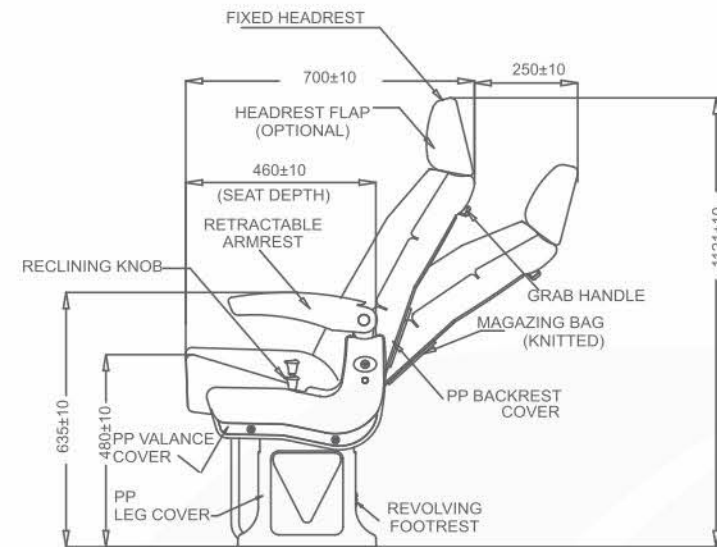
PPCP Injection Molded Back Cover
Retractable Wider Dolphin Armrest
Gas spring Mechanism with Maximum Reclining Comfort
Best Suited in 2X1 configuration for better comfort

INCLUDES

Magazine Pouch, Grab Handle, Coat Hanger
Bottle Holder, Tubular Footrest

OPTIONAL FEATURES

Plastic Swivel Footrest.
Lap Belt.



Disclaimer: Actual product may vary as part of continuous improvement.

DESIGNED FOR
Luxury And Comfort

CVG Seating (India) Pvt. Ltd.

www.cvgseating.co.in

VADODARA

Plot No.: 318, Village Baska, Taluka: Halol, Dist.: Panchmahal, Gujarat, Pin:389 350, India
Mobile: +91 9227790176 +91 9227406754, E-mail: mkt.india@cvgrp.com
Office: +91 90330 13507 +91 90330 13506

PUNE

Gate: 164/2, Talawade Road, Triveni Nagar, Taluka: Haveli, Pune-412114 Maharashtra, India Office: +91 98220 95012

DHARWAD

Plot No. 25, KIADB Industrial Area, Belur, Dharwad-510011, Karnataka, India Office: +91 083624 86242