

15/P6



**Suspension Type:** Air 15

**Upper Type:** P6 pan - low back

**Belt Type:** Static or recoil type lap belt

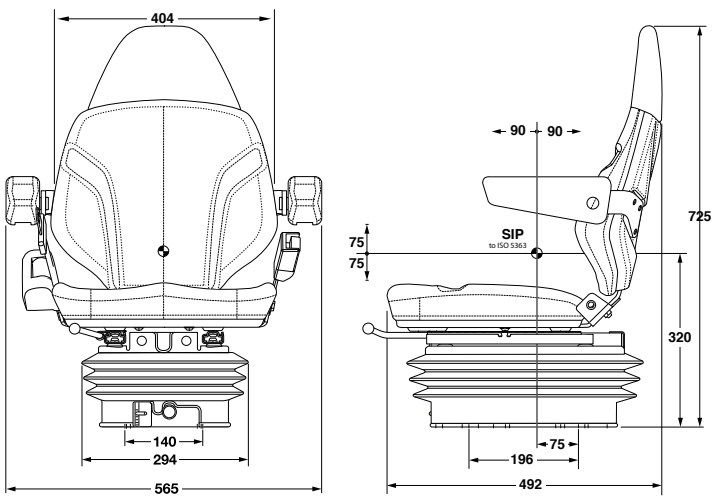
**Suspension Stroke:** 150mm

**Height Adjust:** 70mm integral

**Weight Range:** 50 - 120kg

**Vehicle Categories:** EM3, EM5, EM6, EM7, EM8 and EM9

**Air Control:** Air control 12v integral compressor



11/P6



**Suspension Type:** Mechanical 11

**Upper Type:** P6 pan - low back

**Belt Type:** Optional recoil lap belt to 15kN

**Suspension Stroke:** 80 - 150mm

**Height Adjust:** 70mm integral

**Weight Range:** 50 - 120kg

**Vehicle Categories:** EM3, EM5, EM6, EM7, EM8 and EM9

